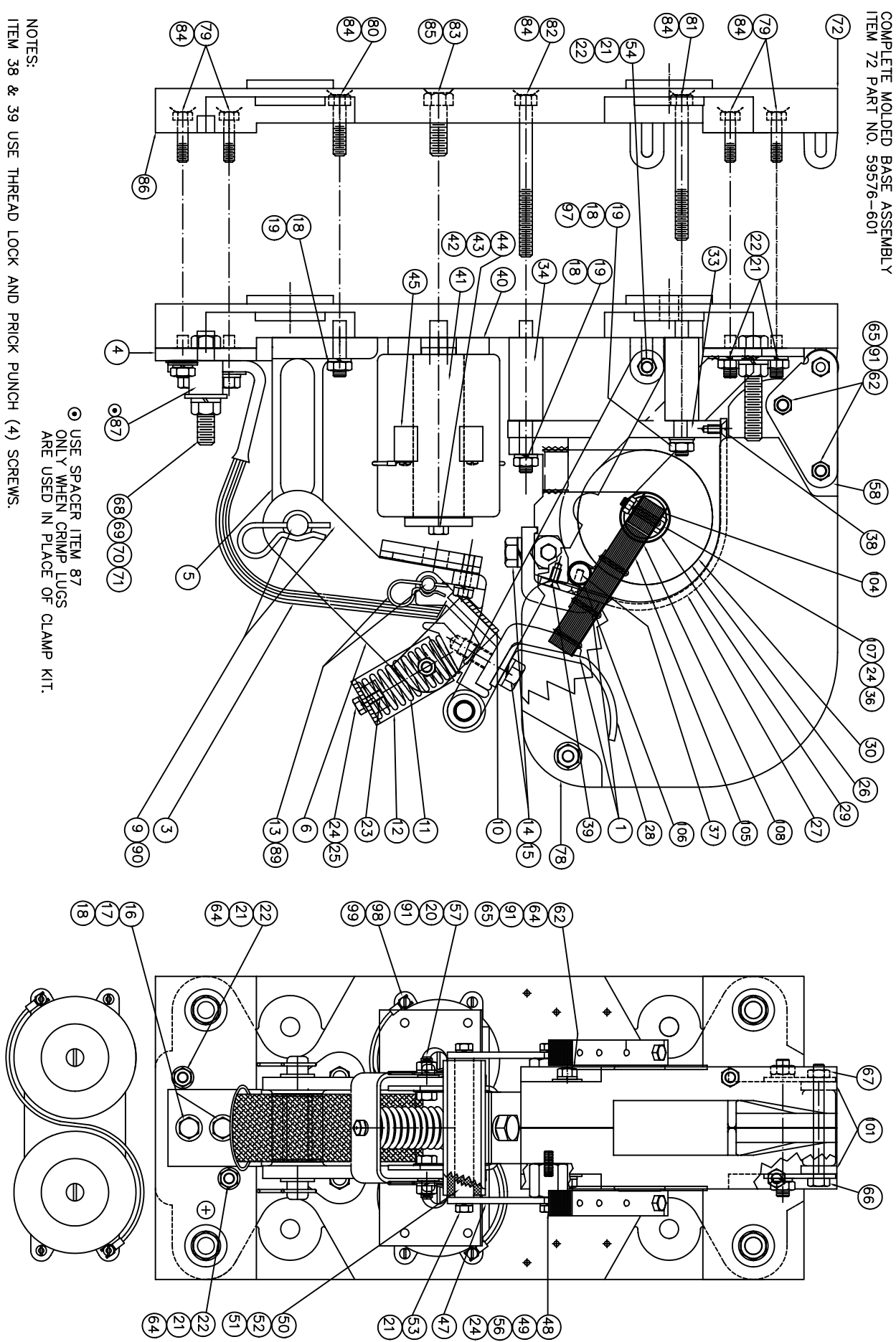


COMPLETE MOLDED BASE ASSEMBLY  
ITEM 72 PART NO. 59576-601



NOTES:  
ITEM 38 & 39 USE THREAD LOCK AND PRICK PUNCH (4) SCREWS.

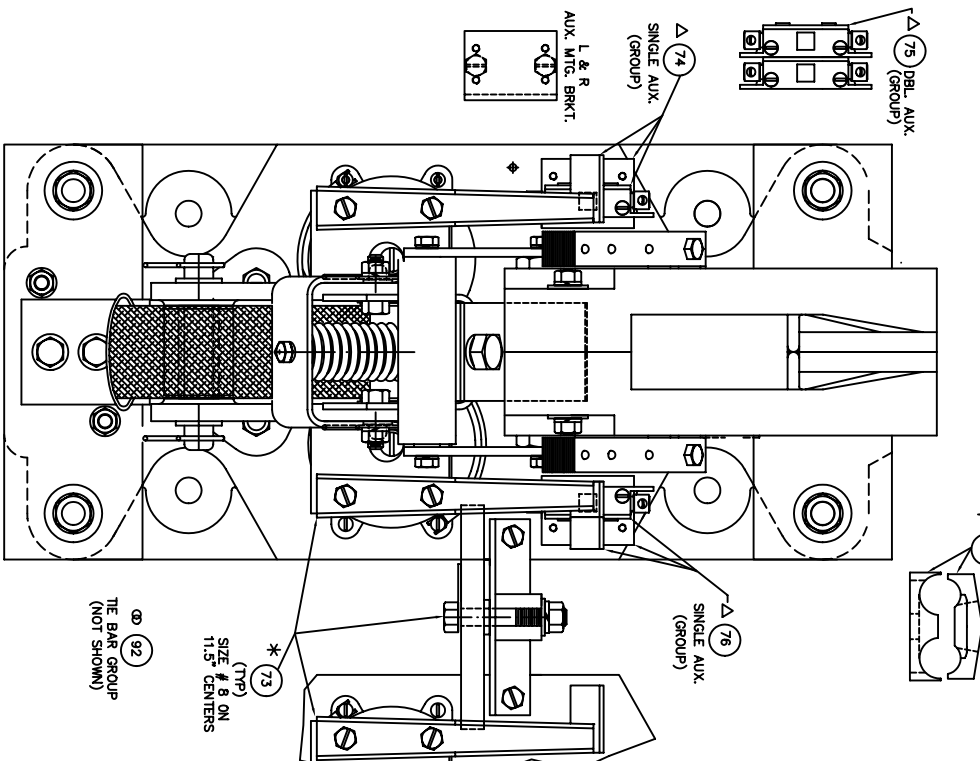
⊙ USE SPACER ITEM 87  
ONLY WHEN CRIMP LUGS  
ARE USED IN PLACE OF CLAMP KIT.

Rev	DATE	BY	DESCRIPTION	LINE#	QTY	UNIT	DATE	DRG. NO.	DR. WSH	REF.
E	9-22-00	TJJ	ADDED ITEM 97	1	1	PCB	06/13/98	IPC-5980U-4	DR. WSH	12
D	2-22-00	TJJ	UPDATED DRAWING	1	1	PCB	06/13/98	IPC-5980U-4	DR. WSH	11
C	2-22-00	TJJ	ADDED ITEMS 109 & 110	1	1	PCB	06/13/98	IPC-5980U-4	DR. WSH	10
B	11-21-97	TJJ	ADDED ITEMS 109 & 110	1	1	PCB	06/13/98	IPC-5980U-4	DR. WSH	9
A	6-27-96	WSM	ARC TRANSFER WINGS CHANGED	1	1	PCB	06/13/98	IPC-5980U-4	DR. WSH	8

REPAIR PARTS BULLETIN 5110  
MOLDED BASE FRONT REMOVABLE  
1350 AMP, 1 POLE, N.O.  
AC CONTACTOR, SIZE 8

DATE 06/13/98  
DRG. NO. IPC-5980U-4  
1 OF 2

CLAMP TERMINAL (GROUP)



ITEM	DESCRIPTION	QTY	PART NO.
1	CONTACT TIP	2	SEE CHART
2	SHUNT ASSEMBLY	1	59603-811
3	TERMINAL BUSS	1	59690-802
4	ARMATURE SUPPORT ASSEMBLY	1	59609-001
6	ARMATURE ASSEMBLY	1	59608-620
7	ARMATURE HINGE PIN	1	59649-002
8	CONTACT REST YOKE	1	59607-000
10	SPRING	1	67981-009
11	HOLDER ARM HINGE PIN	1	59666-000
12	500-13 X 1.25 LG. S.S. HEX HEAD SCREW	2	47253-019
13	50 S.S. LOCK WASHER	2	47282-242
14	312-18 X 1.00 LG. HEX HEAD SCREW	2	47286-103
15	312-18 X 1.00 LG. HEX HEAD SCREW	2	47286-103
16	312-18 X 1.00 LG. HEX HEAD SCREW	2	47286-103
17	312-18 X 1.00 LG. HEX HEAD SCREW	2	47286-103
18	312-18 X 1.00 LG. HEX HEAD SCREW	2	47286-103
19	312-18 X 1.00 LG. S.S. HEX HEAD SCREW	2	47286-103
20	312-18 X 1.00 LG. S.S. HEX HEAD SCREW	2	47286-103
21	312-18 X 1.00 LG. S.S. HEX HEAD SCREW	2	47286-103
22	312-18 X 1.00 LG. S.S. HEX HEAD SCREW	2	47286-103
23	312-18 X 1.00 LG. S.S. HEX HEAD SCREW	2	47286-103
24	250-20 X .50 LG. SLOTTED HEX HEAD SCREW	3	47252-038
25	250-20 X .50 LG. SLOTTED HEX HEAD SCREW	1	47252-038
26	BLOWOUT COIL ASSEMBLY	1	59593-801
27	BLOWOUT GUARD	1	59584-801
28	ARC TRANSFER TIP	1	59589-801
29	BLOWOUT CORE INSULATOR	1	59582-801
30	BLOWOUT INSULATION WASHER	2	59587-000
31	SUPPORT PLATFORM	1	59583-000
32	SUPPORT SPACER	3	66870-041
33	250-20 HEX NUT	2	47253-021
34	460-32 X .75 LG. BRASS FLAT HEAD SCREW	2	47665-080
35	250-20 X .62 LG. FLAT HEAD SCREW	2	47240-168
36	250-20 X .62 LG. FLAT HEAD SCREW	2	47665-108
37	250-20 X .50 LG. BRASS FLAT HEAD SCREW	1	59810-000
38	STARTOR PLATE	2	67628-000
39	COIL CORE CAP SPACER	2	41791-000
40	COIL CORE CAP	2	47246-079
41	COIL CORE CAP	2	47246-079
42	OPERATING COIL (SEE CHART)	1	59441-069
43	NAMEPLATE (NOT SHOWN)	2	59597-000
44	ARMATURE STOP SUPPORT RAIL	2	57439-050
45	ARMATURE STOP LG. BRASS STUD	2	48497-001
46	INSULATOR 1 X 1 (250-20)	1	59598-000
47	ARMATURE STOP	1	59614-000
48	ANTI BOUNCE WEIGHT	1	59815-000
49	ANTI BOUNCE WEIGHT	2	47246-078
50	312-18 X .62 LG. HEX HEAD SCREW	2	66475-025
51	250-20 X .50 LG. S.S. HEX HEAD SCREW	2	47779-061

56	250 S.S. LOCK WASHER	2	47252-238
57	312-18 S.S. HEX NUT	2	47786-103
58	BRACKET	2	59580-000
59			
60			
61			
62	312-18 X 3.75 LG. BRASS STUD	3	57438-047
63	312 BRASS FLAT WASHER	4	47251-012
64	312-18 BRASS HEX NUT	6	47253-013
65	312-18 X 3.75 LG. HEX HEAD SCREW	1	47246-555
66	312-18 X 3.75 LG. HEX HEAD SCREW	1	47301-013
67	312-18 HEX NUT ESNA	4	47246-538
68	500-13 X 2.75 LG. HEX HEAD SCREW	4	47250-516
69	500 FLAT WASHER	4	47252-042
70	500 LOCK WASHER	4	47253-505
71	500-13 FULL HEX NUT	4	56576-601
72	MOLDED BASE ASSEMBLY	1	59695-008
73	MECHANICAL INTERLOCK ASSEMBLY	1	59695-008
74	MECHANICAL INTERLOCK ASSEMBLY (SRL)	1	59695-009
75	PLUNGER AUXILIARY (SINGLE L.H.) GROUP	1	59682-006
76	PLUNGER AUXILIARY (DOUBLE L.H.) GROUP	1	59682-106
77	PLUNGER AUXILIARY (SINGLE R.H.) GROUP	1	59682-166
78	COMPLETE ARC SHIELD ASSEMBLY	4	59682-811
79	312-18 X 1.25 LG. HEX HEAD SCREW	1	47246-082
80	312-18 X 1.25 LG. HEX HEAD SCREW	2	47246-106
81	312-18 X 1.25 LG. HEX HEAD SCREW	2	47246-117
82	312-18 X 1.25 LG. HEX HEAD SCREW	2	47246-514
83	500-13 X 1.50 LG. S.S. HEX HEAD SCREW	2	47246-026
84	750 EXTERNAL TOOTH RETAINING RING	9	57429-022
85	975 EXTERNAL TOOTH RETAINING RING	1	59578-003
86	BASE	1	66870-040
87	SPACER (QTY. 4) OR AS REQUIRED	2	57403-005
88	HAIR PIN COTTER	2	57403-006
89	HAIR PIN COTTER	2	47252-239
90	312 S.S. LOCK WASHER	8	59400-028
91	THE BAR GROUP SIZE 8 ONLY (NOT SHOWN)		
92	CLAMP TERMINAL (QTY. 4) OR AS REQUIRED		
93	GROUP TERMINAL	4	57513-060
94			
95	LEAD WIRE #8 X L=53 R=31.50 LG.	5.38	8211330008
96	312 FLAT WASHER	2	47250-020
97	312 FLAT WASHER	2	57513-066
98	GROUP TERMINAL	1	821410814
99	CONTROL WIRE #14 X 9.25 LG.	2	67988-006
100	ARC SHIELD SPACER	1	57300-058
101	CLAMP TERMINAL (QTY. 4) OR AS REQUIRED		
102	AC CORE ASSEMBLY	1	59631-000
103	AC SIDE ARM ASSEMBLY	1	59632-006
104	SUPPORT BAR (AG SIDE ARMS)	1	59636-000
105	250-20 X 1.25 LG. HEX HEAD SCREW	2	47246-068
106	AC BLOWOUT CORE ASSEMBLY	1	59630-800

NOTES: \* Δ ⊙ ⊕ ⊖ (NOT INCLUDED WITH COMPLETE CONTACTOR ASSEMBLY).

\* ITEM 73 MECHANICAL INTERLOCK ASSEMBLY PART NO. 59625-008 (ORDERED SEPARATELY).

Δ ITEM 74,75,76,77 PLUNGER AUXILIARY GROUP (INCLUDING KNOCKER, BRACKET AND MFG. HARDWARE) (ORDERED SEPARATELY).

⊙ ITEM 73A SPECIAL INTERLOCK BAR ASSEMBLY; USED ONLY WHEN CONTACTORS ARE SPACED AT 11.00" CENTERS (ORDERED SEPARATELY).

⊕ ITEM 92 THE BAR GROUP SIZE 8 ONLY (11.5" MFG. CENTERS) (NOT SHOWN) (ORDERED SEPARATELY).

⊖ ITEM 102 CLAMP TERMINAL P/N 57300-048 250, 500 MM (ORDERED SEPARATELY).

⊙ ITEM 87 SPACER USED ONLY WHEN POWER CRIMP TERMINALS ARE USED. (ORDERED SEPARATELY).

ITEM NO.	DC CONTROL VOLTAGE (COILS IN SERIES)	ITEM 45 ITEM 46	COIL PART NO.	OHMS ± 10% EACH COIL @ 20° C
821	230 / 250V	115 / 125V	001	300 OHMS
822	115 / 125V	57.5V	004	75 OHMS
823	90 V	40	005	30 OHMS
824	36 V	18	008	5.2 OHMS
829	230 / 250V	115 / 125V	001	300 OHMS
830	115 / 125V	57.5V	004	75 OHMS
831	90 V	40	005	30 OHMS
832	36 V	18	008	5.2 OHMS

COMPLETE CONTACTOR ASSEMBLY (PART NO. 59800-000)

COIL PART NO. 59643-

ITEM 45 ITEM 46

DC CONTROL VOLTAGE (COILS IN SERIES)

ITEM 45 ITEM 46

COIL PART NO. 59643-

OHMS ± 10% EACH COIL @ 20° C

300 OHMS

75 OHMS

30 OHMS

5.2 OHMS

300 OHMS

75 OHMS

30 OHMS

5.2 OHMS

REPAIR PARTS BULLETIN 5110  
MOLDED BASE FRONT REMOVABLE  
1350 AMP, 1 POLE, N.O. \*

DATE: 06/13/96 DR: WSM  
2 OF 2

RPC-59800-4